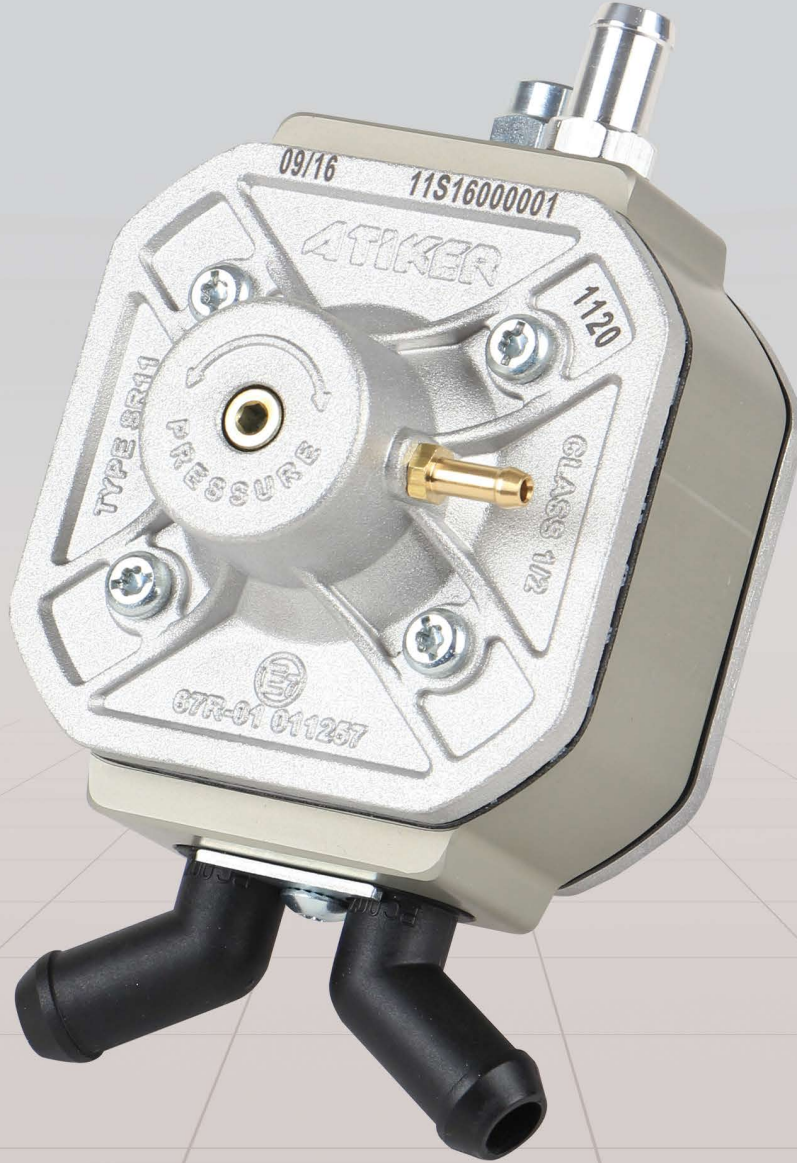


ATIKER[®]
AUTOGAS SYSTEMS & LPG TANKS

SR11
LPG Sequential Reducer



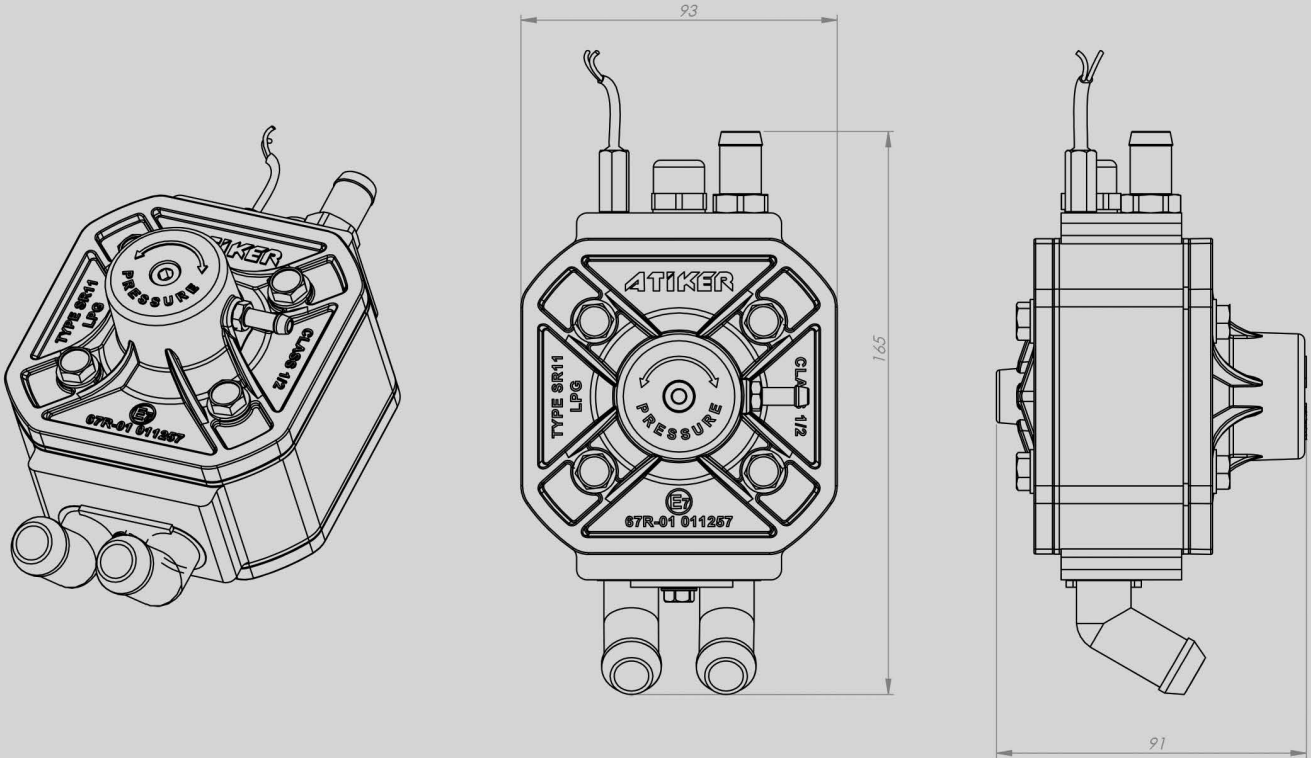
LPG



E37 67R E7 67R E7 110R E7 10R E8 67R E8 110R E8 10R

www.atiker.com.tr

Technical Data	Normal	Super	Super MAX
Stock code	K01.001120	K01.001121	K01.001122
Capacity (Engine Power)	130 KW	220 KW	300 KW
Material Body	Aluminium Body	Aluminium Body	Aluminium Body
Processing Method	Full Cnc Machined	Full Cnc Machined	Full Cnc Machined
Weight	~0,93 kg	~0,98 kg	~1,05 kg
Max. Inlet Pressure	30 bar	30 bar	30 bar
Outlet Pressure	0,8 bar-1,90 bar	0,8 bar-1,90 bar	0,8 bar-1,90 bar
Inlet Copper Pipe	M10x 1 / Ø 6 mm	G ¼-19 / Ø 8 mm	G ¼-19 / Ø 8 mm
Outlet Hose Pipe	Ø 12 mm	Ø 12 mm	2x Ø 12 mm
Heating Stage	1 stage	1 stage	1 stage
Coil Voltage	---	---	---
Lpg Solenoid Valve	Not Integrated	Not Integrated	Not Integrated
Approvals	ECER 67 R - 01	ECER 67 R - 01	ECER 67 R - 01



ATIKER METAL İTHALAT İHRACAT ve İMALAT SANAYİ TİCARET A.Ş.

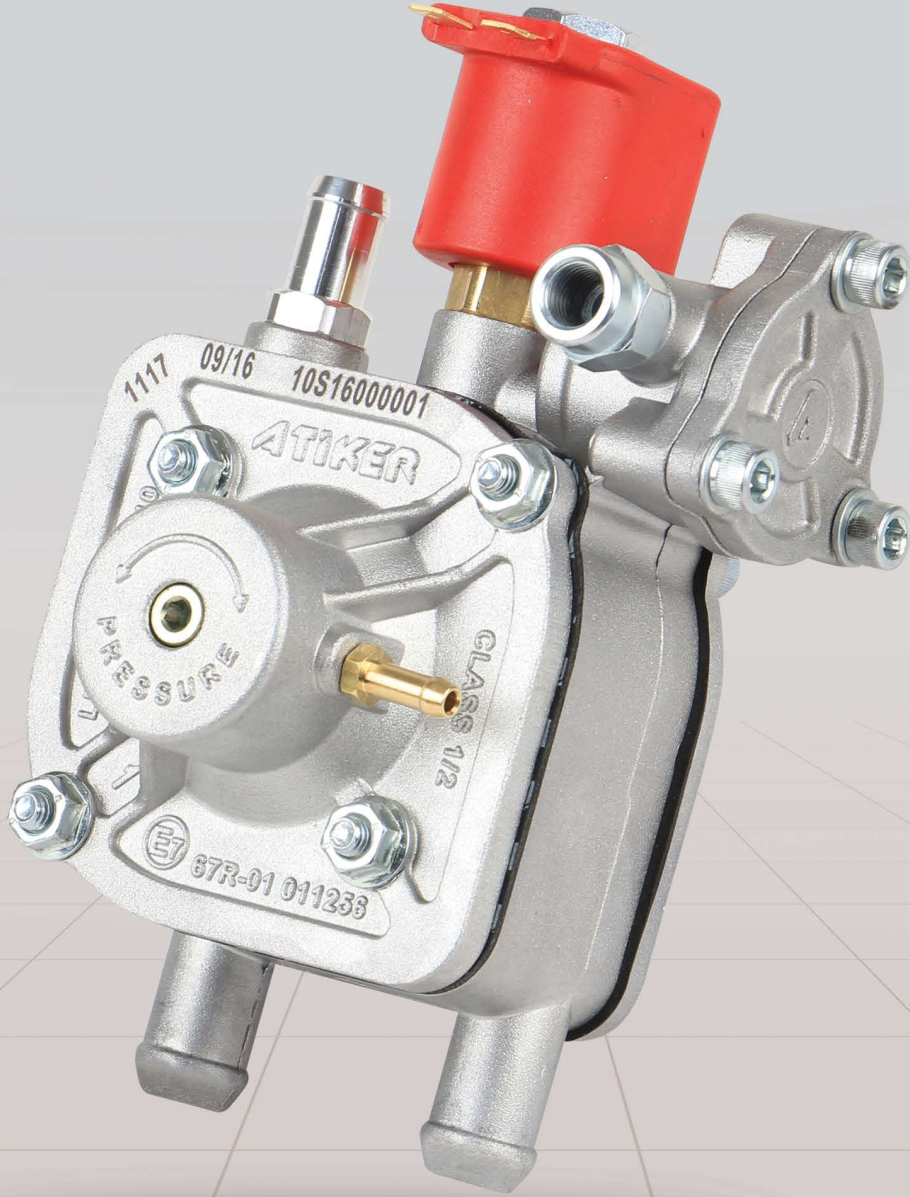
1. Organize Sanayi Bölgesi Atabey Sk. No:5/A 42300 Selçuklu KONYA / TÜRKİYE

Tel : +90 332 285 0 285 Faks : +90 332 285 0 286 Eposta : info@atiker.com.tr

www.atiker.com.tr

ATIKER[®]
AUTOGAS SYSTEMS & LPG TANKS

SR10
LPG Sequential Reducer



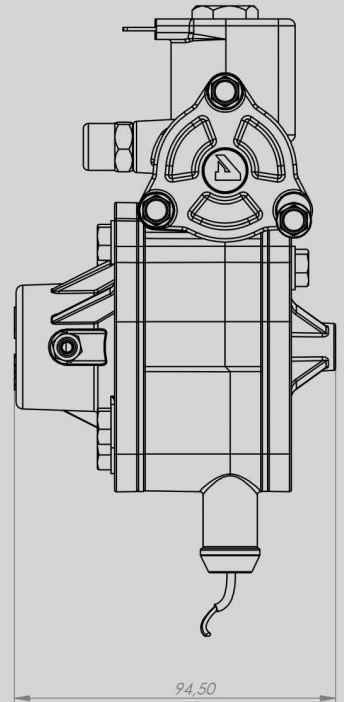
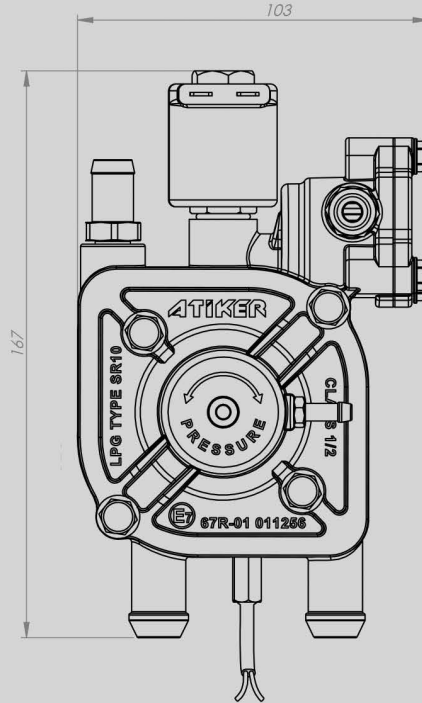
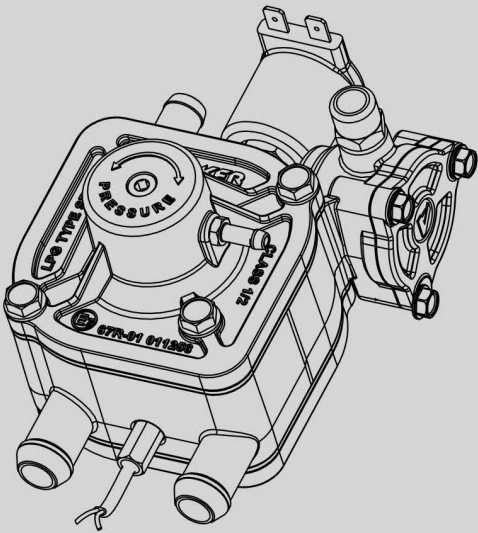
LPG



E37 67R E7 67R E7 110R E7 10R E8 67R E8 110R E8 10R

www.atiker.com.tr

Technical Data	Normal	Super
Stock code	K01.001117	K01.001118
Capacity (Engine Power)	100 KW	130 KW
Material Body	Die casting aluminium body	Die casting aluminium body
Processing Method	Cnc Machined	Cnc Machined
Weight	~0,99 kg	~0,99 kg
Max. Inlet Pressure	30 bar	30 bar
Outlet Pressure	0,8 bar-1,70 bar	0,8 bar-1,70 bar
Inlet Copper Pipe	M10x 1 / Ø 6 mm	G ¼-19 / Ø 8 mm
Outlet Hose Pipe	Ø 12 mm	Ø 12 mm
Heating Stage	1 stage	1 stage
Coil Voltage	12 V-DC 17 W	12 V-DC 17 W
Lpg Solenoid Valve	Integrated	Integrated
Approvals	ECER 67 R - 01	ECER 67 R - 01

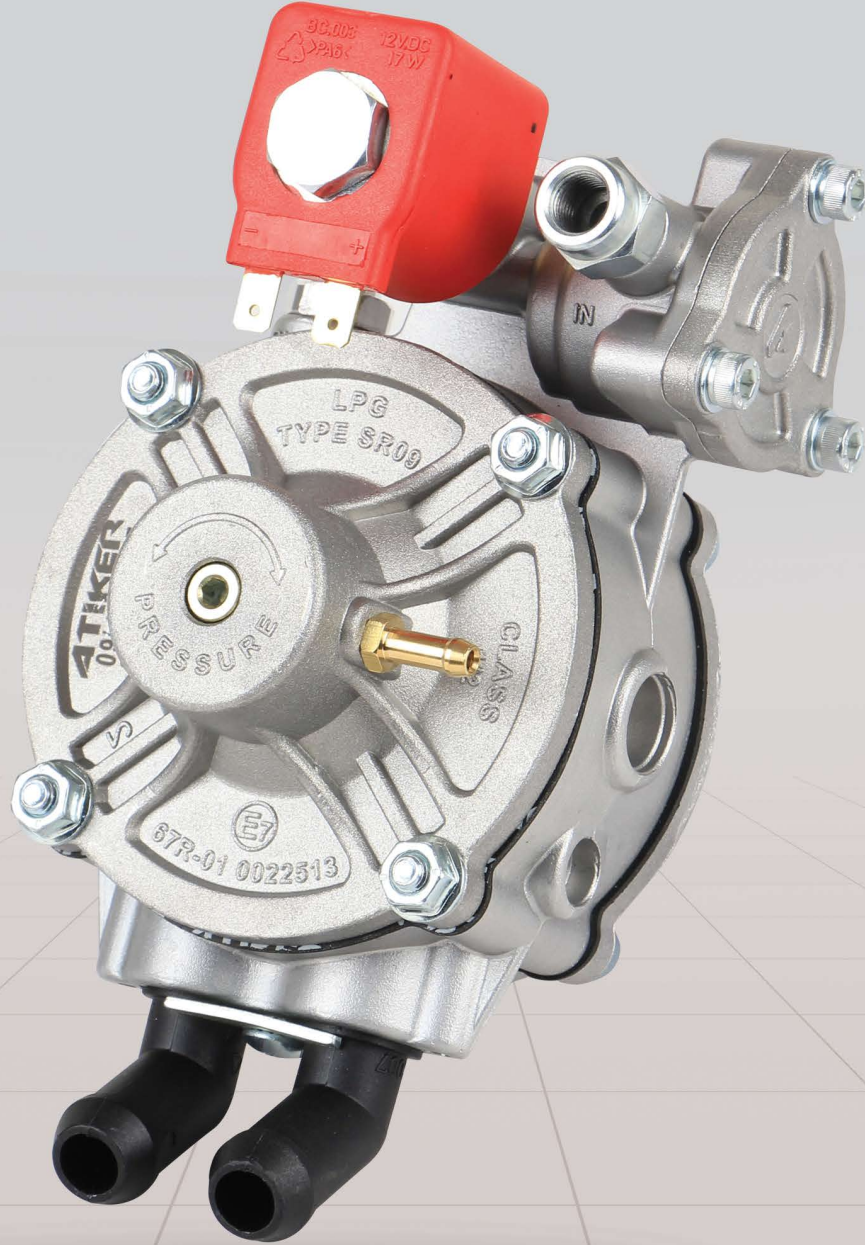


ATIKER METAL İTHALAT İHRACAT ve İMALAT SANAYİ TİCARET A.Ş.

1. Organize Sanayi Bölgesi Atabey Sk. No:5/A 42300 Selçuklu KONYA / TÜRKİYE

Tel : +90 332 285 0 285 Faks : +90 332 285 0 286 Eposta : info@atiker.com.tr

www.atiker.com.tr

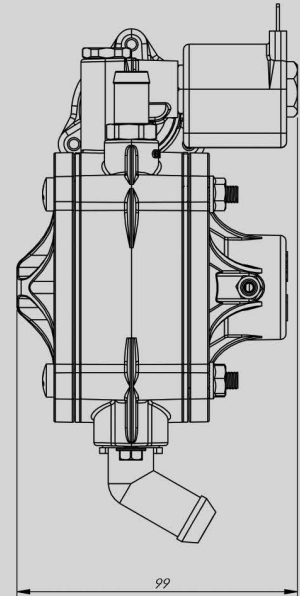
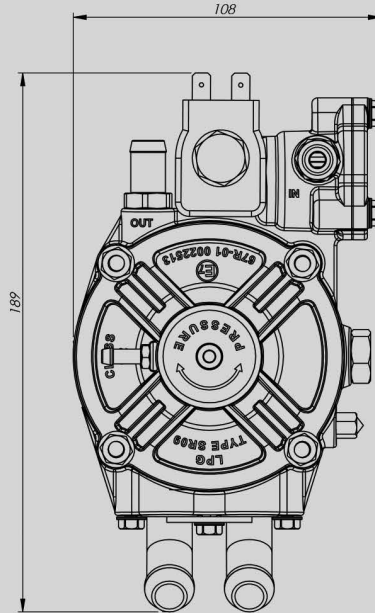
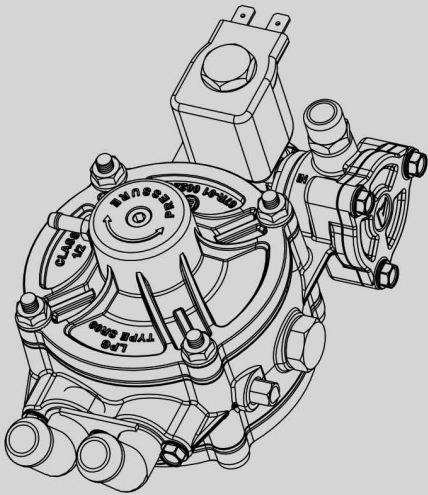


LPG



E37 67R E7 67R E7 110R E7 10R E8 67R E8 110R E8 10R

Technical Data	Normal	Super
Stock code	K01.001115	K01.001116
Capacity (Engine Power)	100 KW	130 KW
Material Body	Die casting aluminium body	Die casting aluminium body
Processing Method	Cnc Machined	Cnc Machined
Weight	~1,25 kg	~1,25 kg
Max. Inlet Pressure	30 bar	30 bar
Outlet Pressure	0,8 bar-1,70 bar	0,8 bar-1,70 bar
Inlet Copper Pipe	M10x1 / Ø6 mm	G ¼-19 / Ø8 mm
Outlet Hose Pipe	Ø 12 mm	Ø 12 mm
Heating Stage	1 stage	1 stage
Coil Voltage	12 V-DC 17 W	12 V-DC 17 W
Lpg Solenoid Valve	Integrated	Integrated
Approvals	ECER 67 R-01	ECER 67 R-01



ATIKER METAL İTHALAT İHRACAT ve İMALAT SANAYİ TİCARET A.Ş.

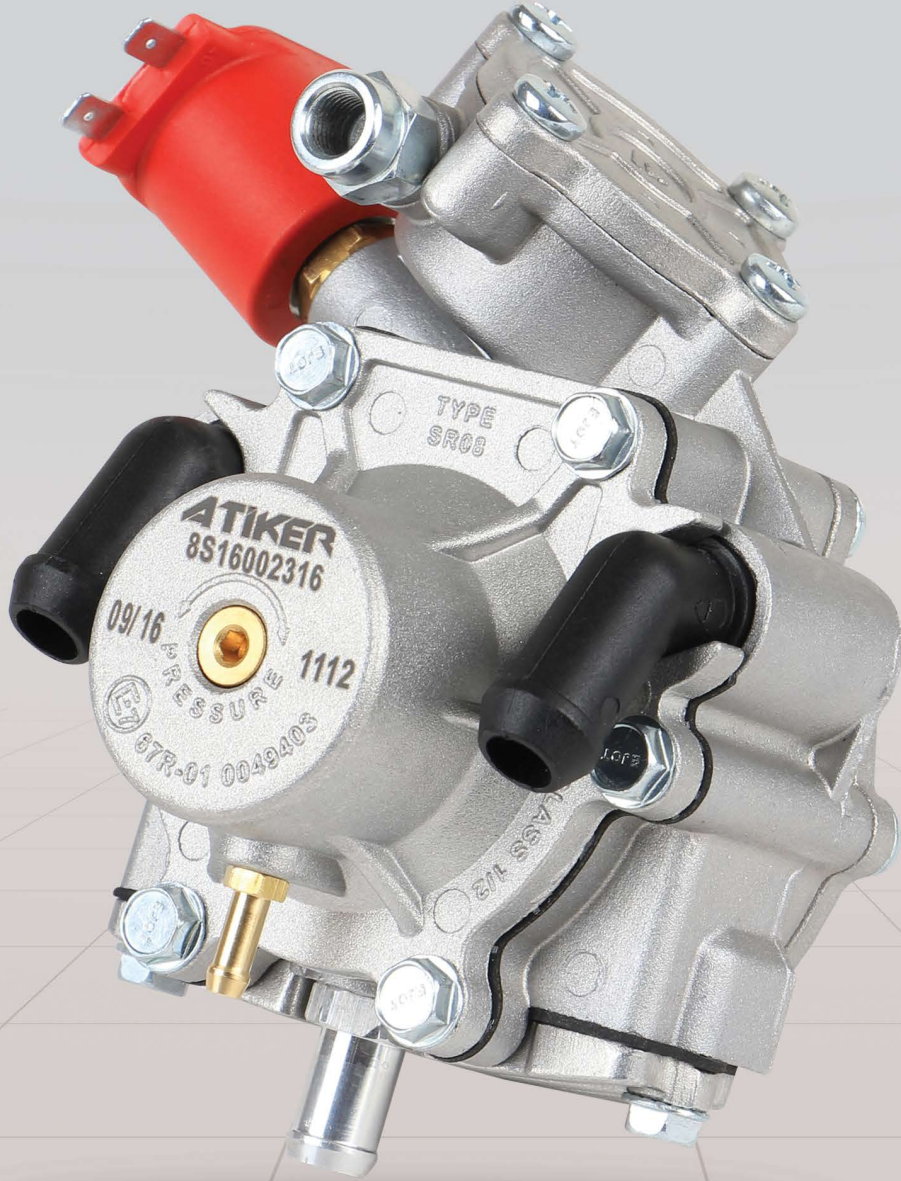
1. Organize Sanayi Bölgesi Atabey Sk. No:5/A 42300 Selçuklu KONYA / TÜRKİYE

Tel : +90 332 285 0 285 Faks : +90 332 285 0 286 Eposta : info@atiker.com.tr

www.atiker.com.tr

ATI KER[®]
AUTOGAS SYSTEMS & LPG TANKS

SR08
LPG Sequential Reducer



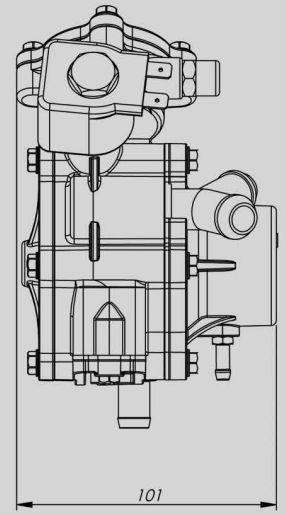
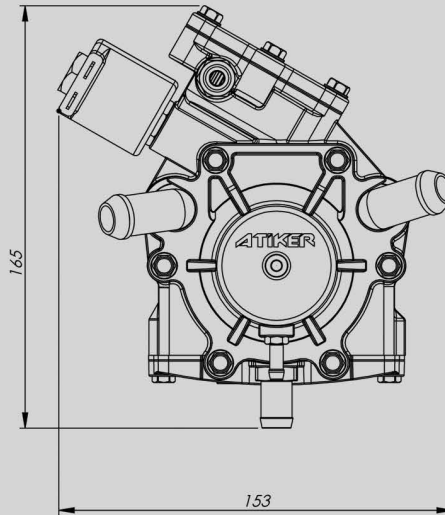
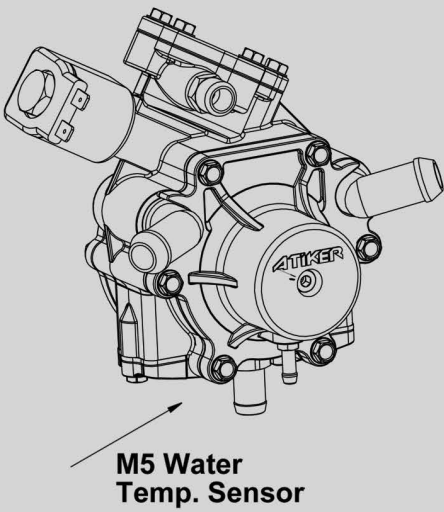
LPG



E37 67R E7 67R E7 110R E7 10R E8 67R E8 110R E8 10R

www.atiker.com.tr

Technical Data	Normal	Super
Stock code	K01.001112	K01.001113
Capacity (Engine Power)	110 KW	140 KW
Material Body	Die casting aluminium body	Die casting aluminium body
Processing Method	Cnc Machined	Cnc Machined
Weight	~1,40 kg	~1,40 kg
Max. Inlet Pressure	30 bar	30 bar
Outlet Pressure	1,00 bar - 1,20 bar	1,20 bar - 1,80 bar
Inlet Copper Pipe	M10x1 / Ø 6 mm	G ¼-19 / Ø 8 mm
Outlet Hose Pipe	Ø 12 mm	Ø 12 mm
Heating Stage	1 stage	1 stage
Coil Voltage	12 V-DC 17 W	12 V-DC 17 W
Lpg Solenoid Valve	Integrated	Integrated
Approvals	ECE R 67 R - 01	ECE R 67 R - 01

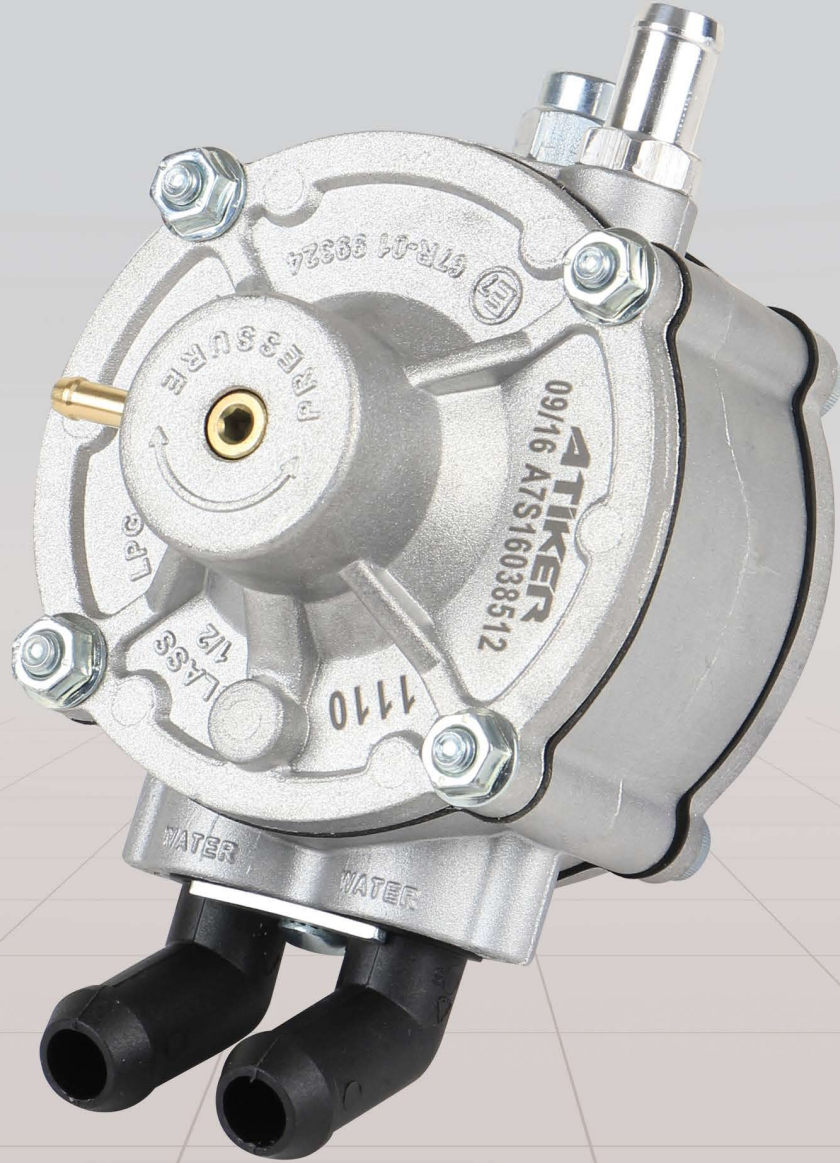


ATIKER METAL İTHALAT İHRACAT ve İMALAT SANAYİ TİCARET A.Ş.

1. Organize Sanayi Bölgesi Atabey Sk. No:5/A 42300 Selçuklu KONYA / TÜRKİYE

Tel : +90 332 285 0 285 Faks : +90 332 285 0 286 Eposta : info@atiker.com.tr

www.atiker.com.tr

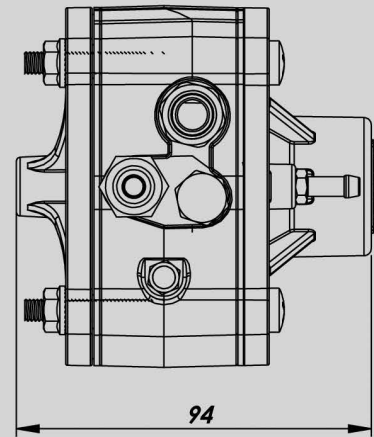
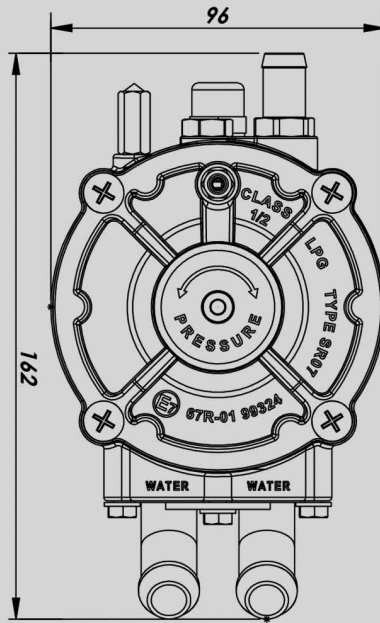
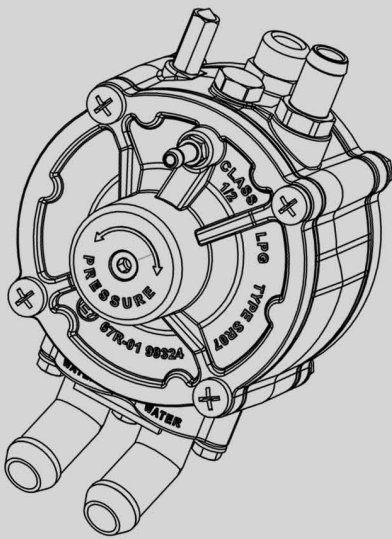


LPG



E37 67R E7 67R E7 110R E7 10R E8 67R E8 110R E8 10R

Technical Data	Normal	Super
Stock code	K01.001110	K01.001111
Capacity (Engine Power)	100 KW	130 KW
Material Body	Die casting aluminium body	Die casting aluminium body
Processing Method	Cnc Machined	Cnc Machined
Weight	~0,95 kg	~0,95 kg
Max. Inlet Pressure	30 bar	30 bar
Outlet Pressure	0,8 bar-1,70 bar	0,8 bar-1,70 bar
Inlet Copper Pipe	M10x1 / Ø 6 mm	G ¼-19 / Ø 8 mm
Outlet Hose Pipe	Ø 12 mm	Ø 12 mm
Heating Stage	1 stage	1 stage
Coil Voltage	---	---
Lpg Solenoid Valve	Not Integrated	Not Integrated
Approvals	ECE R 67 R - 01	ECE R 67 R - 01

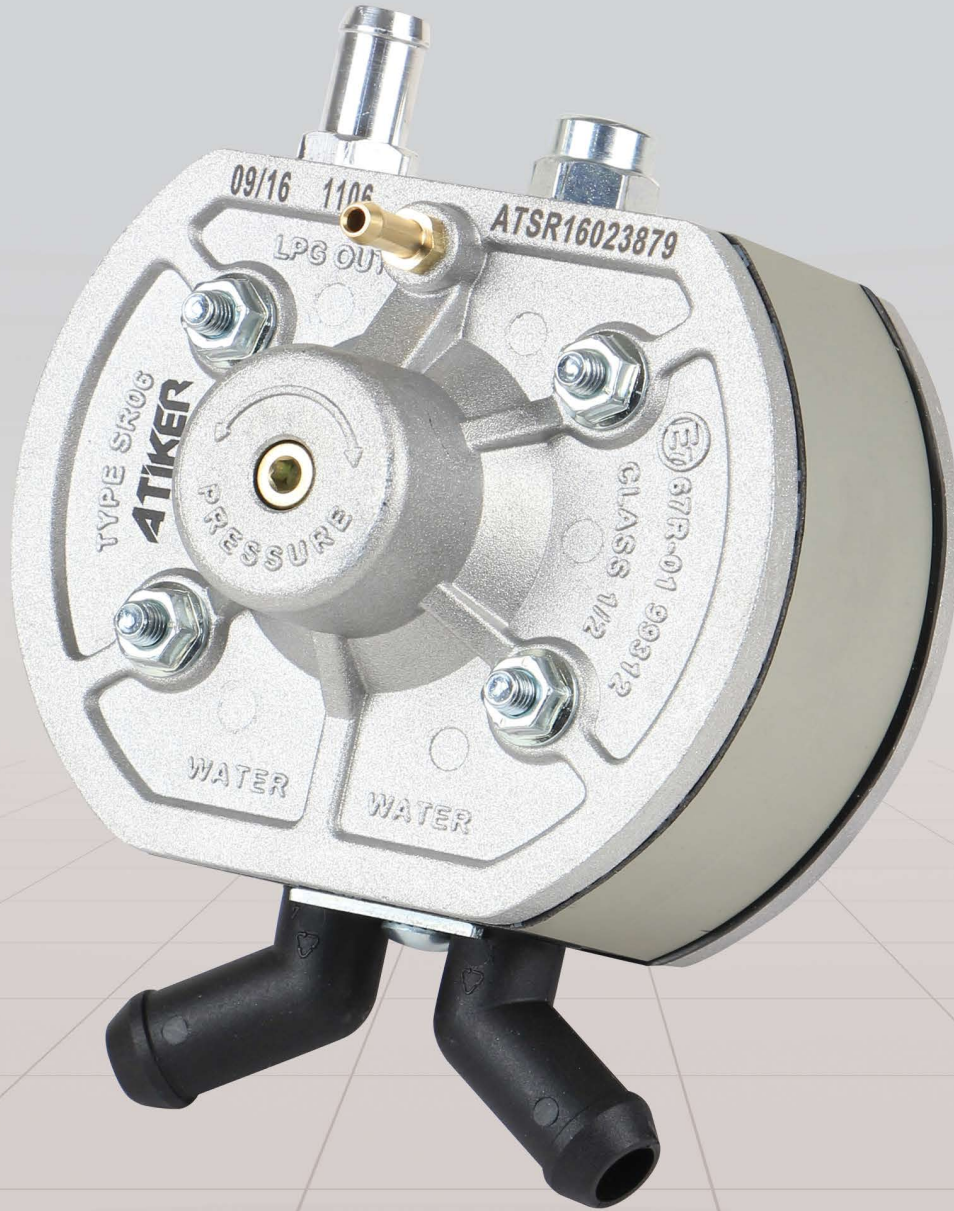


ATIKER METAL İTHALAT İHRACAT ve İMALAT SANAYİ TİCARET A.Ş.

1. Organize Sanayi Bölgesi Atabey Sk. No:5/A 42300 Selçuklu KONYA / TÜRKİYE

Tel : +90 332 285 0 285 Faks : +90 332 285 0 286 Eposta : info@atiker.com.tr

www.atiker.com.tr



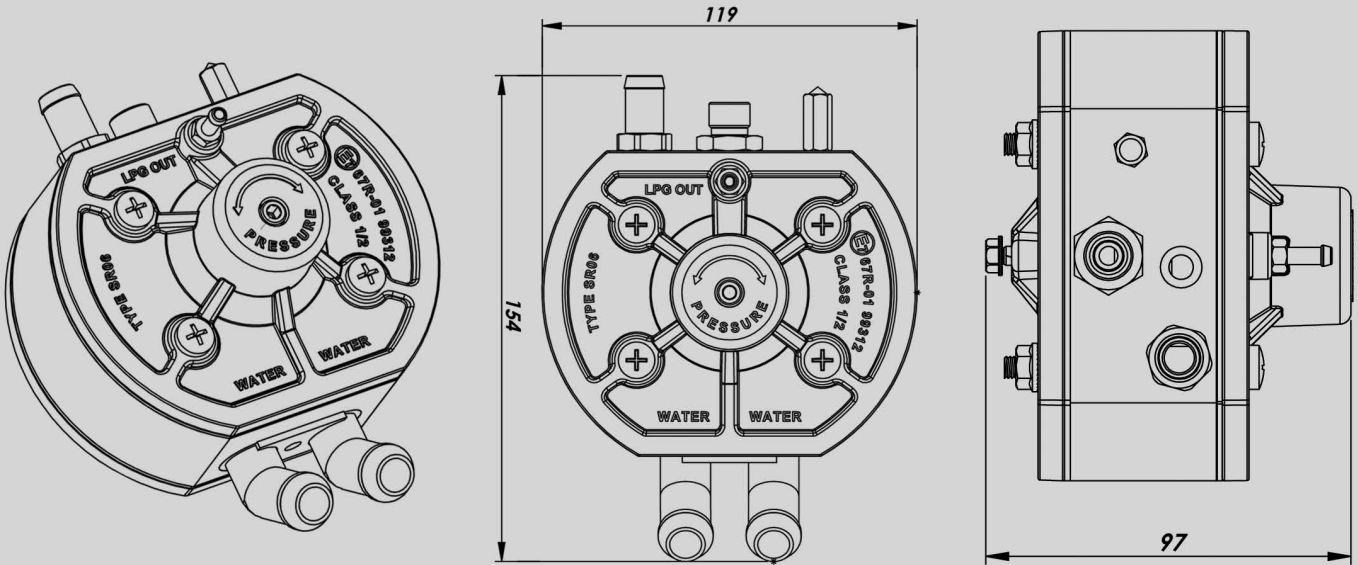
LPG



E37 67R E7 67R E7 110R E7 10R E8 67R E8 110R E8 10R

www.atiker.com.tr

Technical Data	Normal	Super	Super MAX
Stock code	K01.001106	K01.001107	K01.001108
Capacity (Engine Power)	130 KW	220 KW	300 KW
Material Body	Aluminium Body	Aluminium Body	Aluminium Body
Processing Method	Full Cnc Machined	Full Cnc Machined	Full Cnc Machined
Weight	~1,25 kg	~1,30 kg	~1,35 kg
Max. Inlet Pressure	30 bar	30 bar	30 bar
Outlet Pressure	0,8 bar-1,90 bar	0,8 bar-1,90 bar	0,8 bar-1,90 bar
Inlet Copper Pipe	M10x 1 / Ø 6 mm	G ¼-19 / Ø 8 mm	G ¼-19 / Ø 8 mm
Outlet Hose Pipe	Ø 12 mm	Ø 12 mm	2 x Ø 12 mm
Heating Stage	1 stage	1 stage	1 stage
Coil Voltage	---	---	---
Lpg Solenoid Valve	Not Integrated	Not Integrated	Not Integrated
Approvals	ECER 67 R - 01	ECER 67 R - 01	ECER 67 R - 01



ATIKER METAL İTHALAT İHRACAT ve İMALAT SANAYİ TİCARET A.Ş.

1. Organize Sanayi Bölgesi Atabey Sk. No:5/A 42300 Selçuklu KONYA / TÜRKİYE

Tel : +90 332 285 0 285 Faks : +90 332 285 0 286 Eposta : info@atiker.com.tr

www.atiker.com.tr